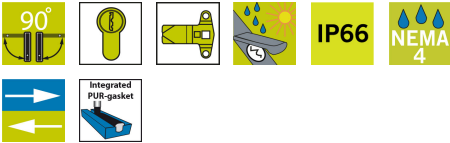


VISION SWING HANDLE RC2



Low profile swing handle used for Vision classic latching systems, traditional cams and round rods. Approved according to the anti-vandal classification RC2. Optional saw protection available for protection beyond RC2 requirements.

It is used with a 40 mm profile cylinder (ordered separately). Equipped with sliding dust cover and sealed IP66.



MATERIAL

Dish: Zinc die cast, black coated

Maçaneta: Zinc die-cast, chrome plated or black coated

Pivot shaft: Zamak, zincado

Cobertura contra poeira: TPE

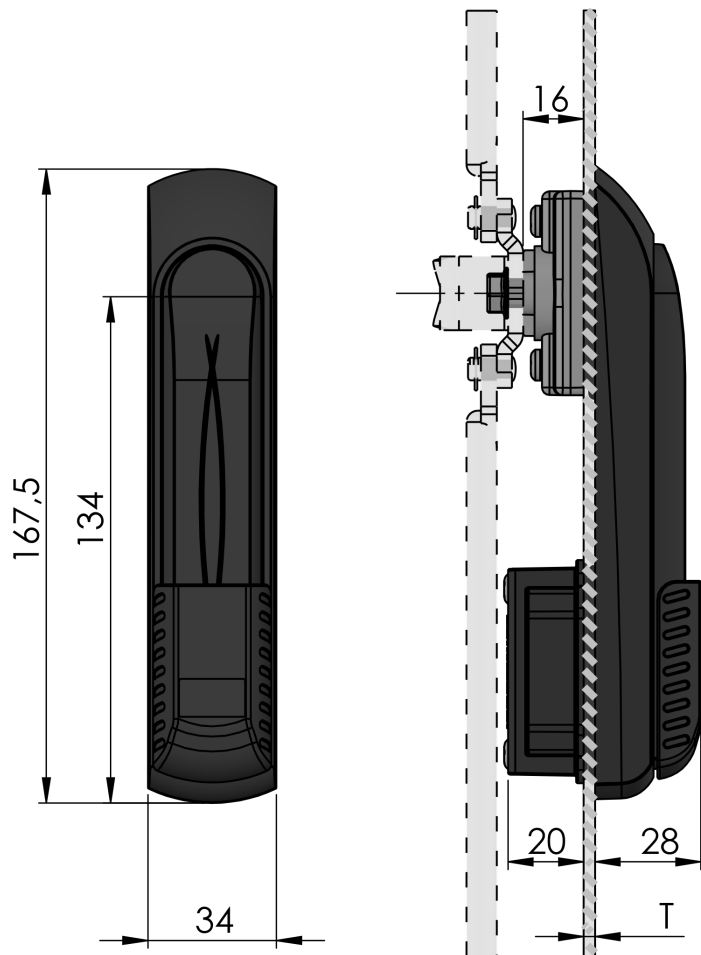
O-ring: NBR

RELATED PRODUCTS

Cylinders: 1-210, 1-211

Similar products: 1-004.04

Use the Index Code at industrilas.com



Industriilas
— When access counts —

Make your selections in each column to create your article number (AAAA-BBCCDE-FF)

AAAA	Tipo	BB	Miolo/Cilindro	CC	Material/Tratamento de superfície	D	Grau de proteção	E	Espessura da porta	FF	Burglar protection
1541	Swing handle 180°	83	Para cilindro de perfil	16	Zinc die cast, black texture powder coated	5	IP66	1	0,8 - 1,5 mm	01	RC2
1542	Swing handle - Counter clockwise			26	Zinc die cast, black texture powder coated, Highlander			2	1,6 - 2,5 mm		
1543	Swing handle - Clockwise							3	2,6 - 3,5 mm		

Version C

